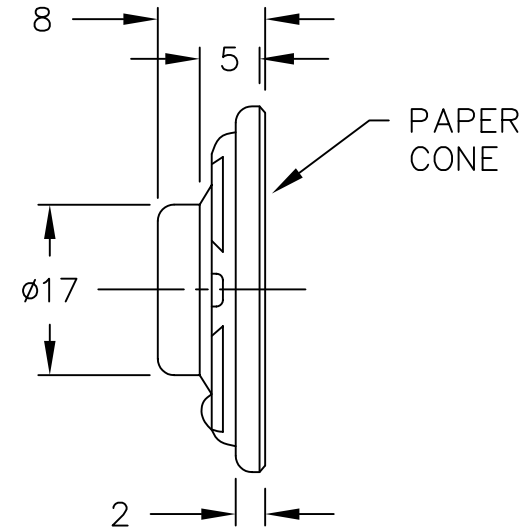
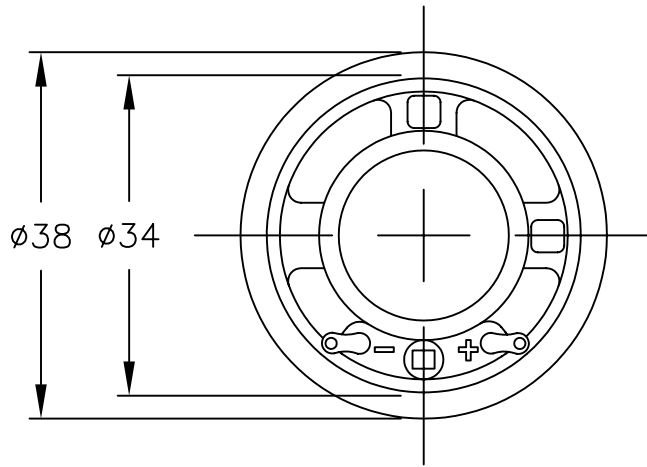


THIS DOCUMENT CONTAINS DATA PROPRIETARY TO PROJECTS UNLIMITED, INC. ANY USE OR REPRODUCTION, IN ANY FORM, WITHOUT PRIOR WRITTEN PERMISSION OF PROJECTS UNLIMITED, INC. IS PROHIBITED.
© 2005, Projects Unlimited Inc.

SPECIFICATIONS

PARAMETERS	VALUES	UNITS
RATED INPUT POWER	0.1	W
MAX INPUT POWER	0.1	W
IMPEDANCE	8±15%	OHM
OUTPUT SPL @ 1W/0.1M (AT 0.8, 1.0, 1.2, 1.5 kHz)	94±3	dBA
DISTORTION (MAX.)	5%	-
RESONANT FREQUENCY	700±20%	Hz
FREQUENCY RANGE	700 ~ 8800	Hz
HOUSING MATERIAL	METAL	-
CONE MATERIAL	PAPER	-
MAGNET MATERIAL	COBALT	-
OPERATING TEMPERATURE	-20 ~ +60	°C
WEIGHT	10.4	grams



REVISIONS

LTR	DESCRIPTION	DATE	APPROVED
-	RELEASED FROM ENGINEERING	05/07/02	
A	REVISED TO NEW TEMPLATE	11/16/05	B.R.

NOTES:

1. ALL DIMENSIONS ARE IN MILLIMETERS.
2. SPECIFICATION SUBJECT TO CHANGE OR WITHDRAWAL WITHOUT NOTICE.

FILE NAME
AT-38008.DWG

UNLESS OTHERWISE SPECIFIED:
DIMENSIONS ARE IN
MILLIMETERS, TOLERANCES ARE ±0.5 AND
ANGLES ARE ±3°.



projects®
unlimited

Dayton, Ohio

SPEAKER

APPROVALS	DATE
DRAWN <i>RABL</i>	05/02
CHECKED <i>X.X.</i>	<i>x/xx</i>
APPROVED <i>S.J.</i>	5/7/02

SIZE
A

DRAWING NO.
AT-38008

DO NOT SCALE DRAWING

SCALE: N.T.S.

SHEET 1 OF 1